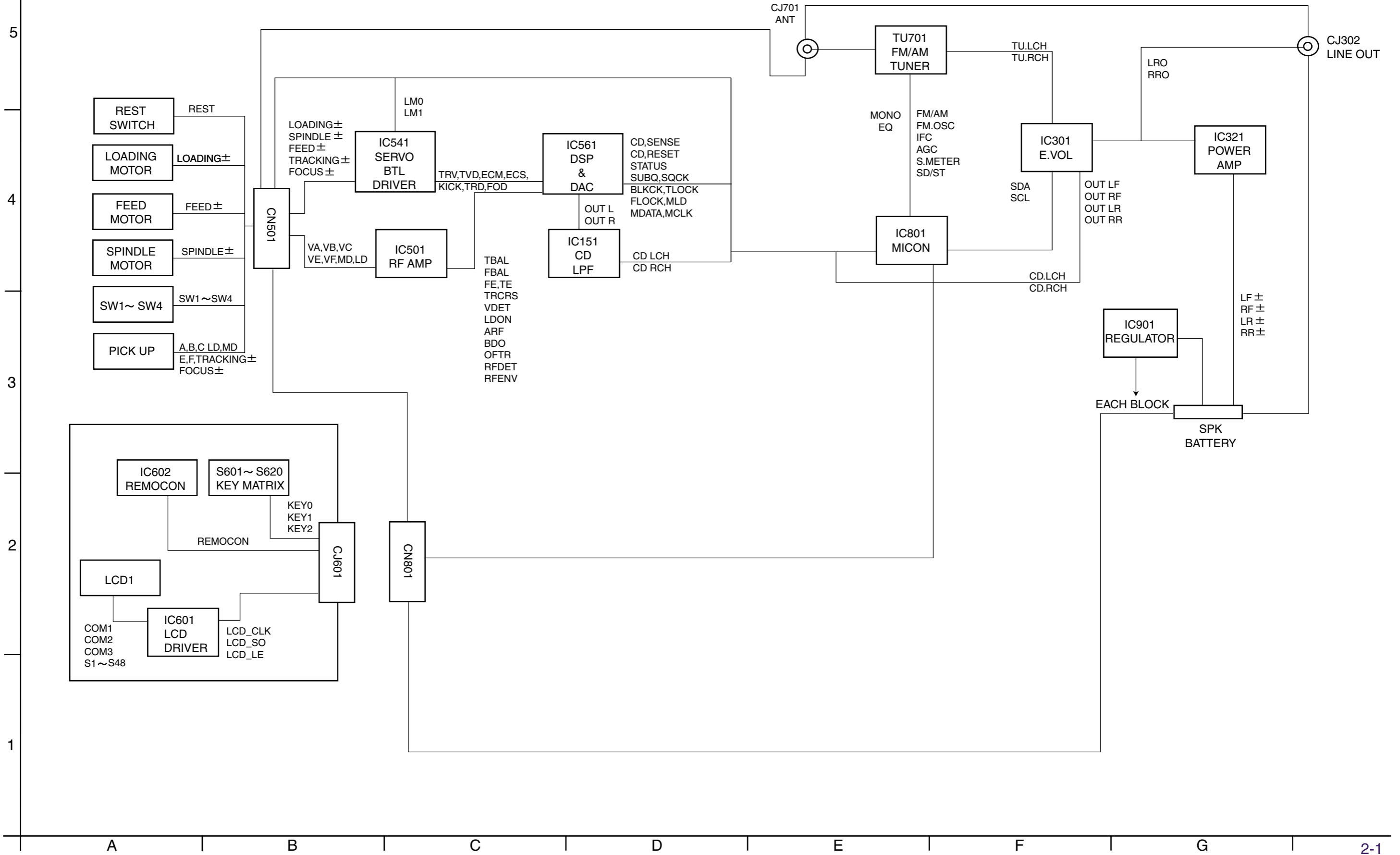


Block diagram

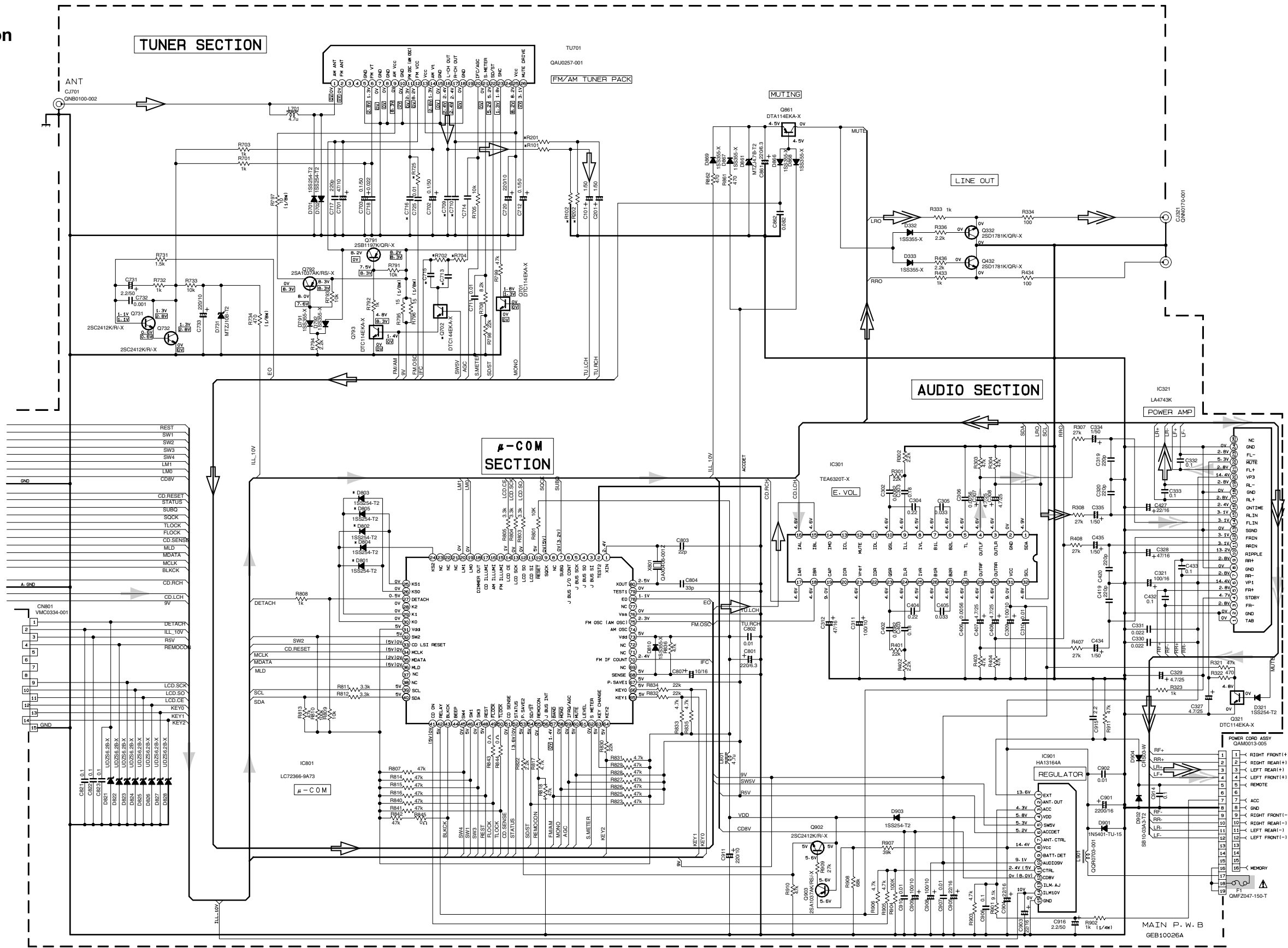


Standard schematic diagrams

KD-S587

KD-S587

Main amp section



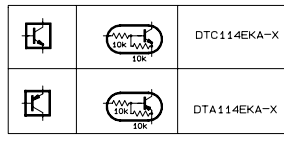
5
4
3
2
1

A B C 2-2 D E F G H

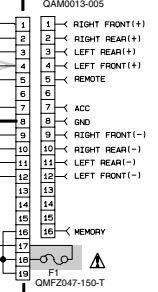
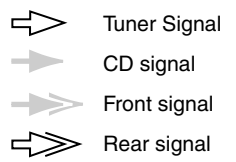
REMARK 1

C709-C710	0.003	JUL
R101-R102	5.1k	SEP
R103	10k	SEP
R104	10k	SEP
R105	10k	SEP
R106	10k	SEP
R107	10k	SEP
R108	10k	SEP
R109	10k	SEP
R110	10k	SEP
R111	10k	SEP
R112	10k	SEP
R113	10k	SEP
R114	10k	SEP
R115	10k	SEP
R116	10k	SEP
R117	10k	SEP
R118	10k	SEP
R119	10k	SEP
R120	10k	SEP
R121	10k	SEP
R122	10k	SEP
R123	10k	SEP
R124	10k	SEP
R125	10k	SEP
R126	10k	SEP
R127	10k	SEP
R128	10k	SEP
R129	10k	SEP
R130	10k	SEP
R131	10k	SEP
R132	10k	SEP
R133	10k	SEP
R134	10k	SEP
R135	10k	SEP
R136	10k	SEP
R137	10k	SEP
R138	10k	SEP
R139	10k	SEP
R140	10k	SEP
R141	10k	SEP
R142	10k	SEP
R143	10k	SEP
R144	10k	SEP
R145	10k	SEP
R146	10k	SEP
R147	10k	SEP
R148	10k	SEP
R149	10k	SEP
R150	10k	SEP
R151	10k	SEP
R152	10k	SEP
R153	10k	SEP
R154	10k	SEP
R155	10k	SEP
R156	10k	SEP
R157	10k	SEP
R158	10k	SEP
R159	10k	SEP
R160	10k	SEP
R161	10k	SEP
R162	10k	SEP
R163	10k	SEP
R164	10k	SEP
R165	10k	SEP
R166	10k	SEP
R167	10k	SEP
R168	10k	SEP
R169	10k	SEP
R170	10k	SEP
R171	10k	SEP
R172	10k	SEP
R173	10k	SEP
R174	10k	SEP
R175	10k	SEP
R176	10k	SEP
R177	10k	SEP
R178	10k	SEP
R179	10k	SEP
R180	10k	SEP
R181	10k	SEP
R182	10k	SEP
R183	10k	SEP
R184	10k	SEP
R185	10k	SEP
R186	10k	SEP
R187	10k	SEP
R188	10k	SEP
R189	10k	SEP
R190	10k	SEP
R191	10k	SEP
R192	10k	SEP
R193	10k	SEP
R194	10k	SEP
R195	10k	SEP
R196	10k	SEP
R197	10k	SEP
R198	10k	SEP
R199	10k	SEP
R200	10k	SEP

NOTES:
 1. VOLTAGE ARE DC-MEASURED WITH A DIGITAL VOLTMETER WITHOUT INPUT SIGNAL CONDITION.
 ---FM [] AM MODE, --- [] CD MODE!
 2. UNLESS OTHERWISE SPECIFIED,
 ALL RESISTOR ARE 1/16W 5%METAL GLAZE RESISTOR.
 ALL CAPACITOR ARE 50V OR 25V CERAMIC CAPACITOR.
 ALL RESISTANCE VALUES ARE IN OHM.
 ALL CAPACITANCE VALUES ARE IN UF(p=PF).
 ALL E. CAPACITORS ARE SHOWN IN THE FORM OF CAPACITANCE(UF)/RATED VOLTAGE(V)



Parts are safety assurance parts. When replacing those parts make sure to use the specified one.



CD servo & control section

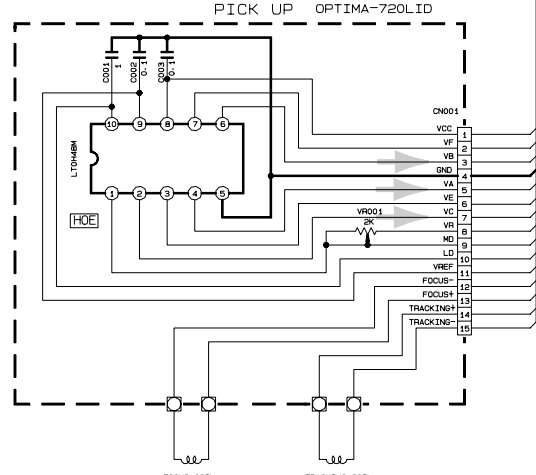
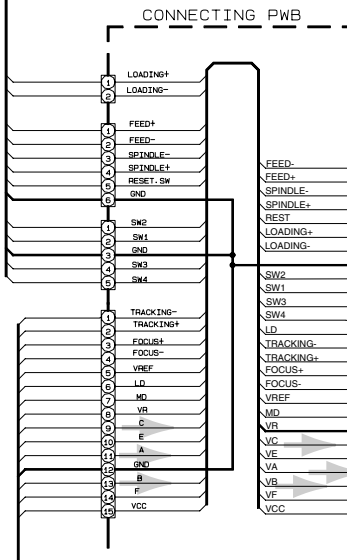
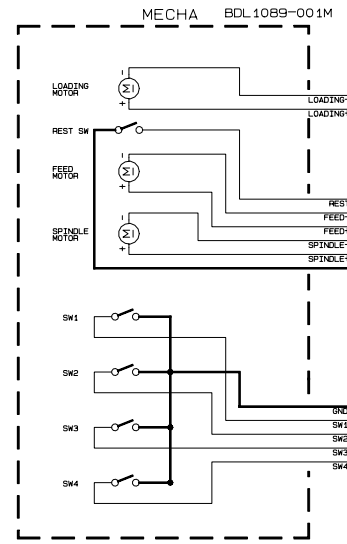
5

4

3

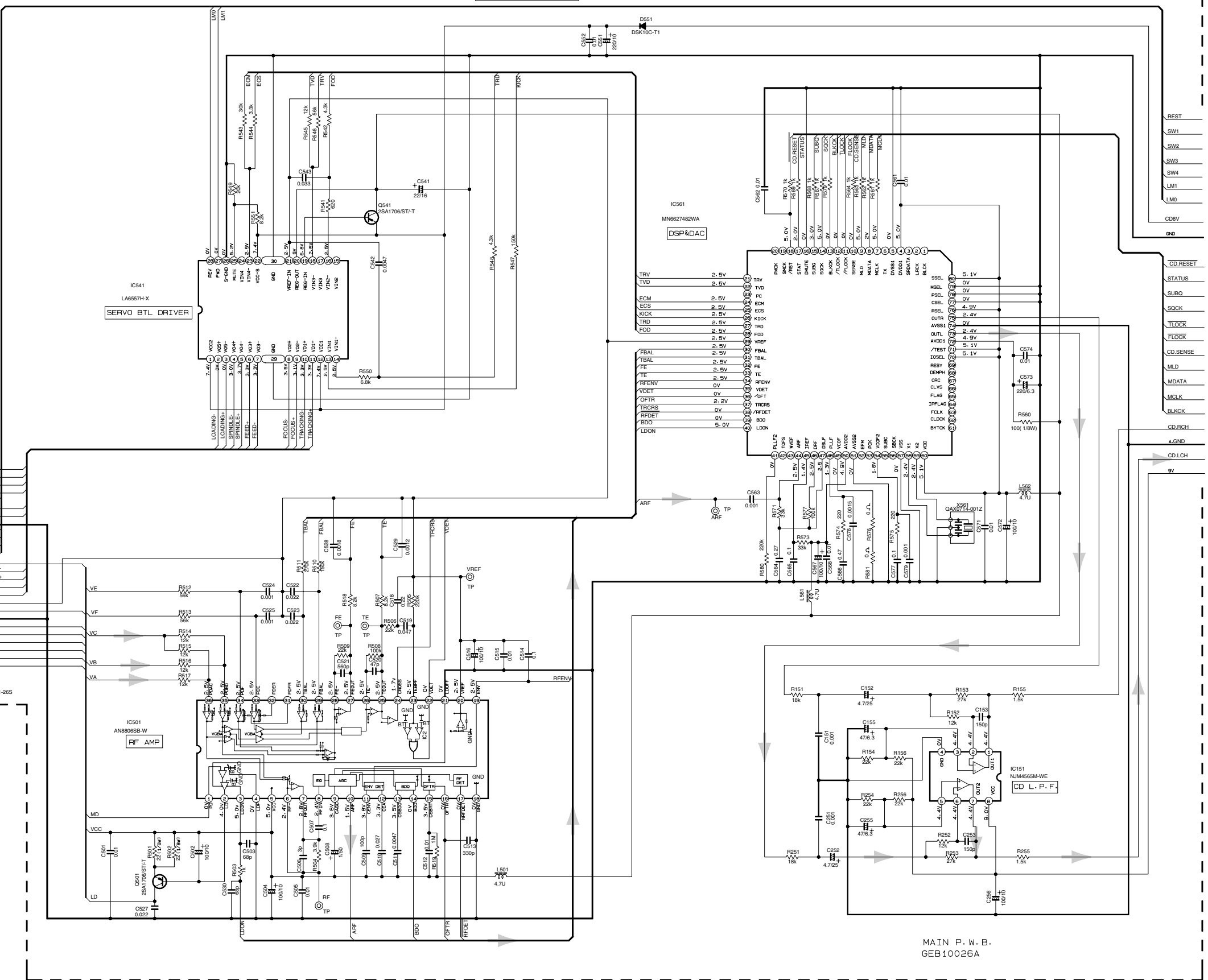
2

1



ICN501 QGB2027M1-26S

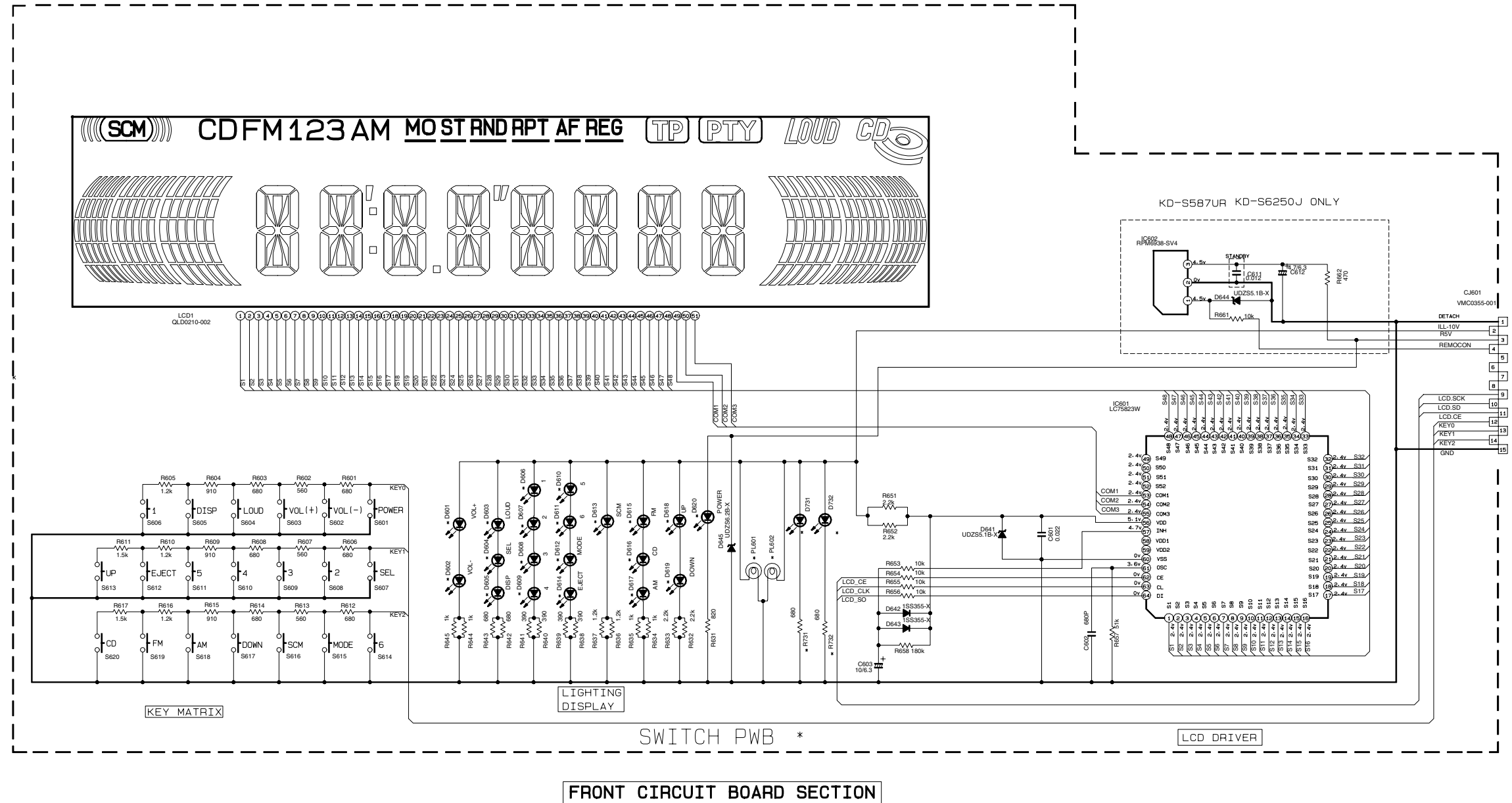
CD SECTION



NOTE : 1. VOLTAGE ARE DC-MEASURED WITH DIGITAL VOLT-METER WITHOUT INPUT SIGNAL CONDITION
 --- CD MODE
 2. UNLESS OTHERWISE SPECIFIED.
 ALL RESISTORS ARE 1/8W ±5% METAL GLAZE RESISTOR.
 ALL CAPACITORS ARE 50V 50 ±5% CERAMIC CAPACITOR.
 ALL RESISTANCE VALUES ARE IN OHM.
 ALL CAPACITANCE VALUES ARE IN uF(µF).
 ALL E. CAPACITORS ARE SHOWN IN THE FORM OF CAPACITANCE(UF/RATED VOLTAGEV)

CD signal

■ LCD & key control section



FRONT CIRCUIT BOARD SECTION

REMARK:

	KD-S580J KD-S6250J	KD-S587UR
D731 D732	NSPK10BS/BR/	—
D601 - D612	SM-310VT/JK/-X	SM-310VT/JK/-X
D614 - D619	SM-310LT/AV/-X	SM-310LT/AV/-X
D620	SM-310LT/AV/-X	SM-310LT/AV/-X
D613	LT1F87AF-M	LT1F87AF-M
S601 - S620	NSW0066-001X	NSW0066-001X
R731 R732	NRG181J-6B1X	—
PL601 PL602	—	QLL0033-003
SW PWB	GE810037A	GE810038A

- NOTES
- VOLTAGES ARE DC-MEASURED WITH A DIGITAL VOLT METER WITHOUT INPUT SIGNAL.
 - UNLESS OTHERWISE SPECIFIED, ALL RESISTOR ARE 1/16W ±5% METAL GLAZE RESISTOR. ALL CAPACITORS ARE 50V OR 25V CERAMIC CAPACITOR. ALL RESISTANCE VALUES ARE IN OHM. ALL CAPACITANCE VALUES ARE IN UF (PPF).
 - ALL CAPACITORS ARE SHOWN IN THE FORM OF CAPACITANCE (UF)/RATED VOLTAGE(V).

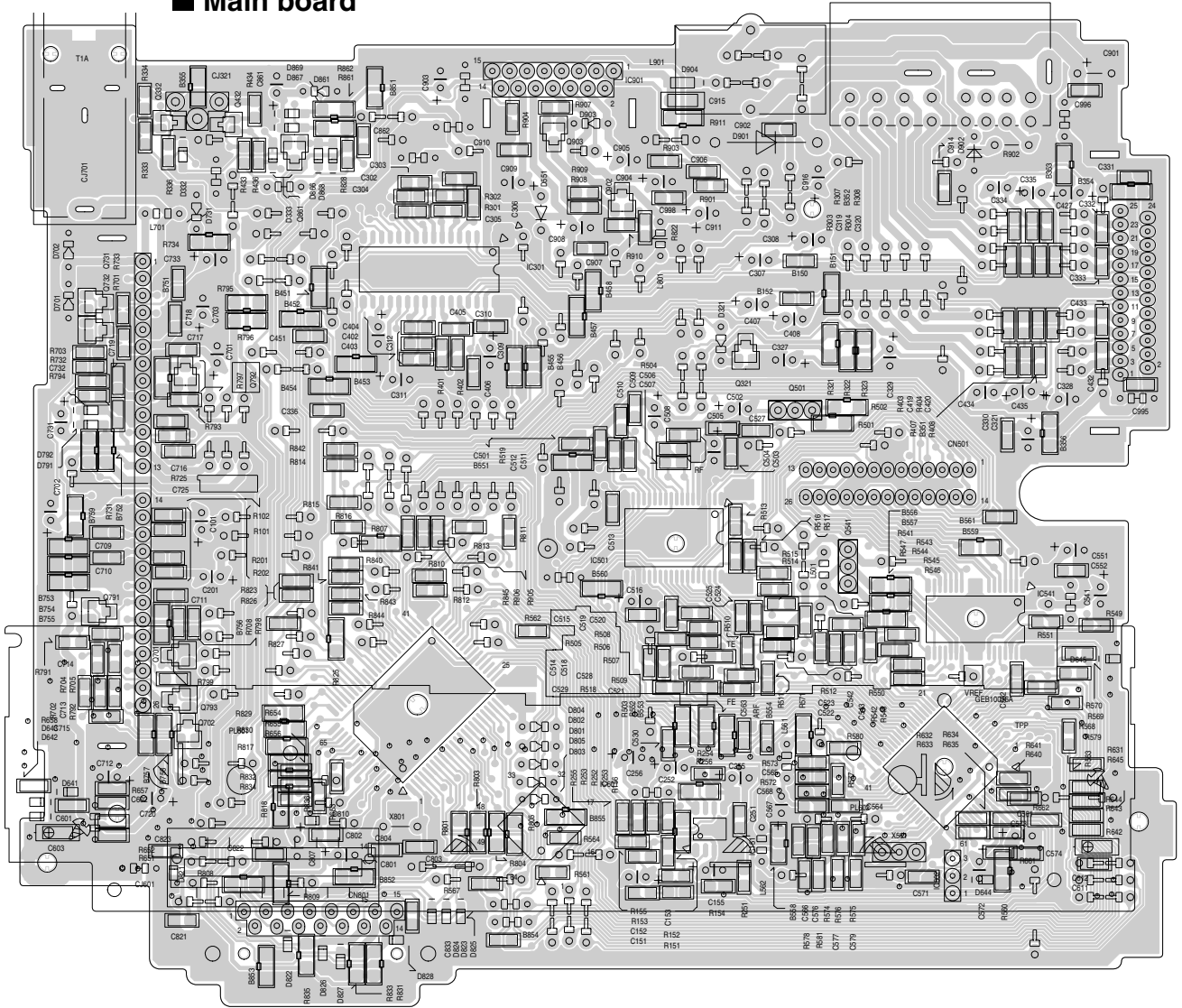
Printed circuit boards

■ Main board

5

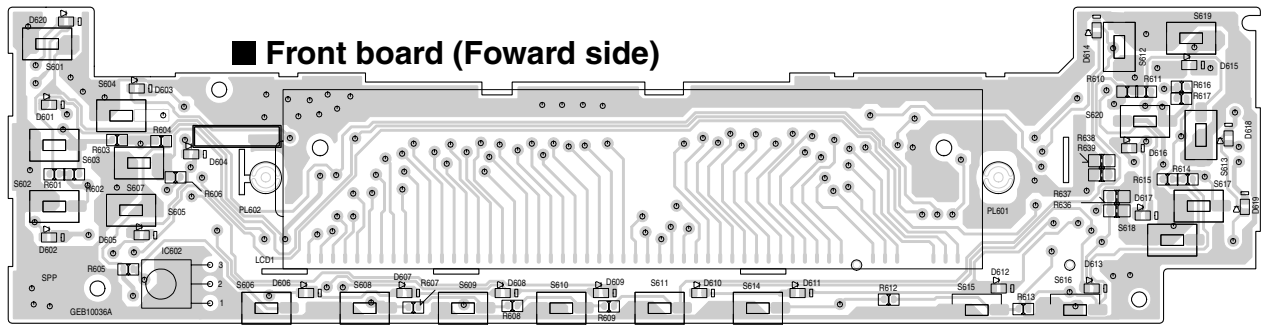
4

3



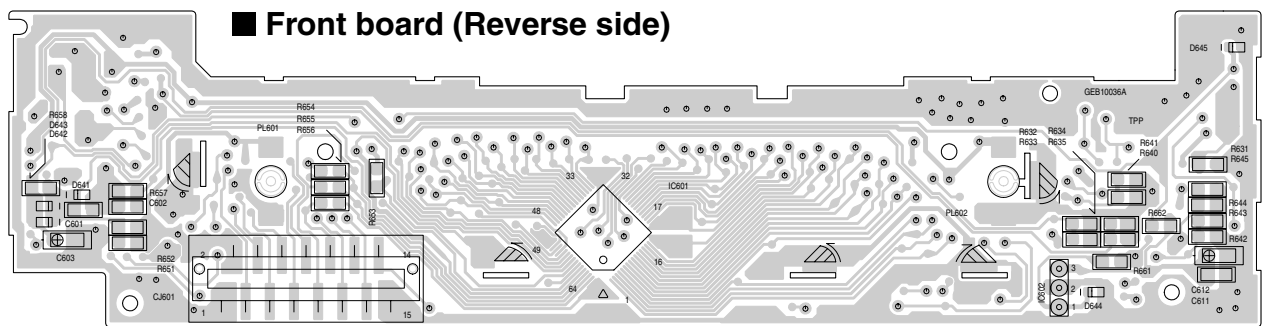
2

■ Front board (Forward side)



1

■ Front board (Reverse side)



A

B

C

< MEMO >